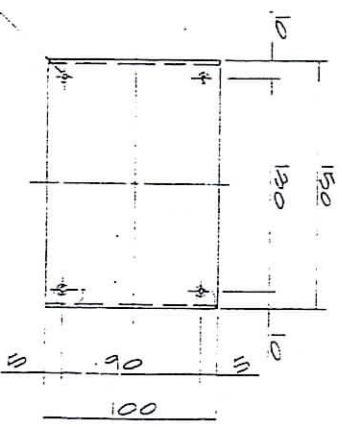
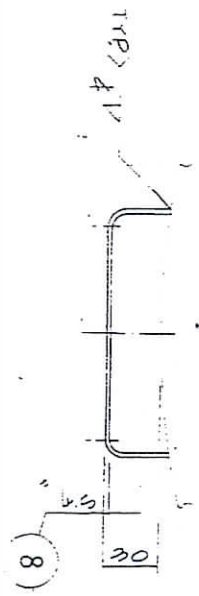
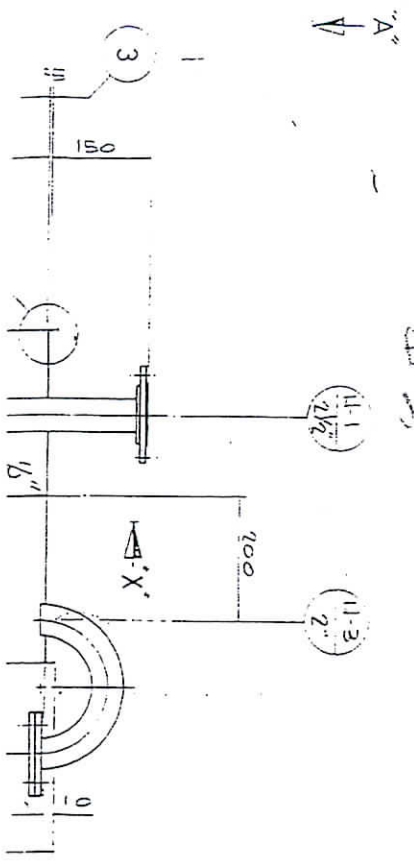
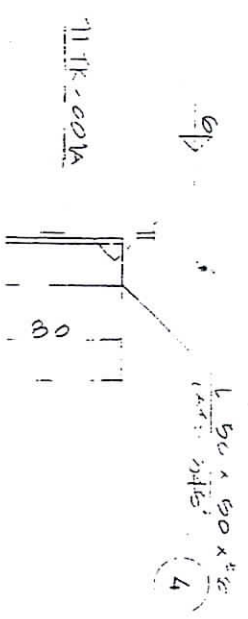


VIEW "A"
NOZZLE ORIENTATION



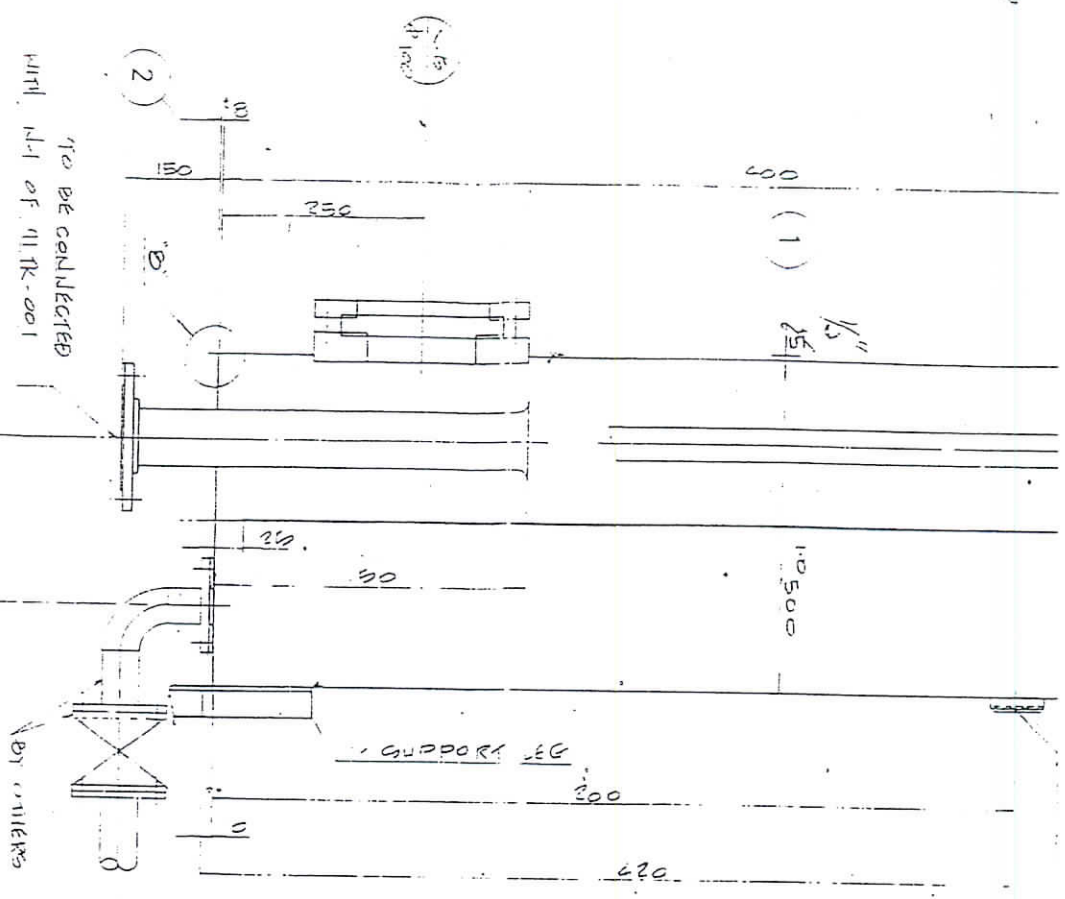
NAME PLATE BRACKET

4 - M3 TAP HOLES
FOR M3 ROUND HEAD SCREWS
(9)



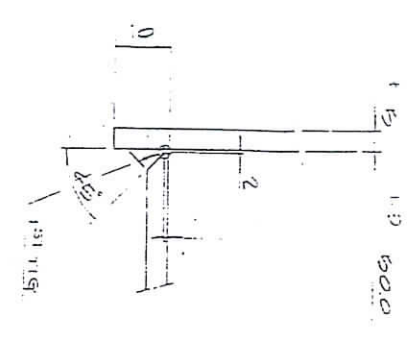
SEC

INTER BY
(10)



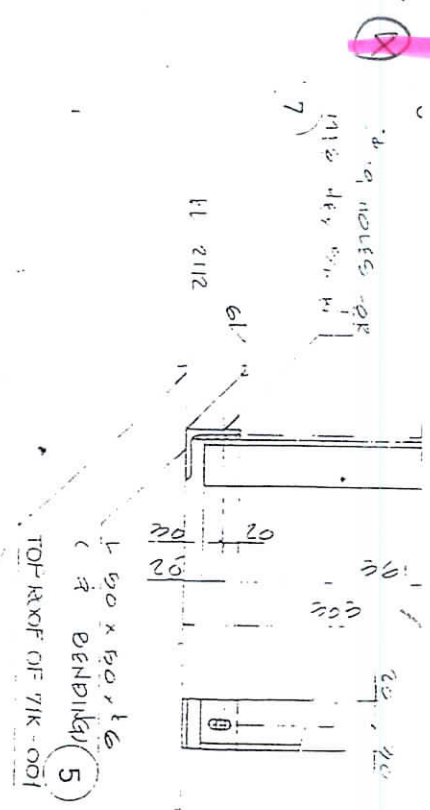
① 1/2" 2"

② 1/2" 2"



DETAIL B

SUPPORT LEG

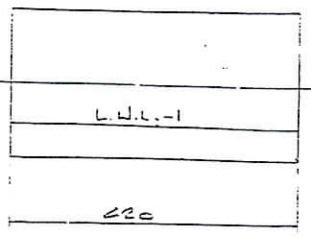
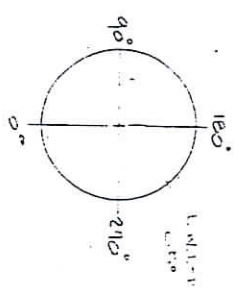


500 x 500
 TOP RAMP OF 7/16" (5)

ST-D-31
ST-B-C
ST-A-C
DWG NO.
REFI

DESIGN DATA

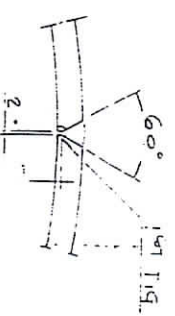
CODE		CODE STAMP	NO
TEMP CLASS		BUNDLE WEIGHT (kg)	
CORR ALLOW (mm)	2	FULL W. WEIGHT (kg)	80
JOINT EFF. (%)		OPER WEIGHT (kg)	170
STRESS RELIEF	1b	EMPTY WEIGHT (kg)	50
RADIOGRAPH	1b	FIRE PROOF (mm)	NO
PNEUM. TEST PRESS. (kg/cm ²)		INSULATION (mm)	NO
HYDR. TEST PRESS. (kg/cm ²)	1.02	PAINT	SEE NOTE 4
M.A.W.P.		TYPE OF ROOF	FLAT
DESIGN TEMP (°C)	AMB	CONTENT LETTER	
DESIGN PRESS. (kg/cm ²)	ATM.	Sp. Gr.	1.51
OPER. TEMP (°C)	AMB.	NO. OF PASS	-
OPER. PRESS. (kg/cm ²)	ATM.	SURFACE AREA (M ²)	-
FLUID	98% SULFURIC ACID	VOLUME (M ³)	0.03
REGULATION			
WIND VELOCITY	45 M/SEC.		



NOZZLE LIST

NOZZLE MARK	REG. NO.	NOM. SIZE	SCI. NO.	FLANGE RATING	SERVICE	REMARKS	TO Q. PRODUCTION
U-1	1	2 1/2"	160	AISI 150 R.F.	ACID INLET		SEE Dwg
U-2	1	3"	160	AISI 150 R.F.	ACID OUTLET		SEE Dwg
U-3	1	2"	160	AISI 150 R.F.	AIR INLET		SEE Dwg
U-4	1	2"	-	PAV	PIRANI		SEE Dwg
U-5	1	1 1/2"	-	PAV	SIGHT GLASS		SEE Dwg

WELDING SEAM ORIENT & ELEVATION



INSIDE

NOTES

1. ALL GASKET FLANGE HOLES TO BE STRADDLE NORTH & SOUTH OR NATURAL HORIZ & VERT ϕ OF TANK.
2. GASKET CONTACT SURFACE OF FLANGE SHALL BE MACHINE FINISHED AS PER AWS: B15.5
3. TELL TALEHOLE SHALL NOT BE PROVIDED ON REINF PAID IN LONGITUDINAL DIRECTION OF TANK.
4. PAINTING SPEC.
5. SURFACE OF TANK SHALL BE CLEANED BY PICKLING

OF TANK SHALL BE CLEANED BY PICKLING

Main plate: 12B
Boiler plate: not
partless

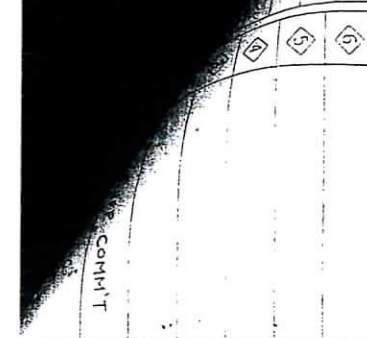
ITEM	NAME OF PART	MATERIAL	REQD NO	SPARE UNIT	REMARKS
10	INNER BARREL	A240-304L	1		EA 15 15" ϕ (12mm)
9	ROUND HEAD SCREEN	SUS 304	4		113 x 6"
8	FLANGE RE BRACKET	A240-304	1		EA 1
7	HEX BUSH	SUS 304	1		M16 x 45"
6	PLASTIC	PLASTIC	1		EA 1
5	ALIGLE	SUS 304	1		EA 1
4	ALIGLE	SUS 304	1		EA 1
3	ROOF PLATE	A240-304L	1		EA 1
2	BT-1 PLATE	A240-304L	1		EA 1
1	GATELL	A240-304L	1		EA 1 15" ϕ (12mm)

CLIENT: NAMHAE CHEMICAL CORPORATION
 MINT PLANT 4500MT/Y
 YOICHEON, KOREA

TITLE: MOISTURE TRAP & VENT (ASSEMBLY)
 71TK-001A

APPROVED BY: [Signature] DRAWINGS: [Signature]
 ORDER NO: Y90-08-1049
 SCALE: 1:1
 DRIN DATE: 90.10.17
 JOB NO: 9003

NO	DATE	BY	REASON
1			
2			
3			
4			
5			
6			
7			
8			
9			
10			
11			



COMMIT: [Signature]
 DRAWING: [Signature]
 DE SIGN: [Signature]
 SECTION: [Signature]